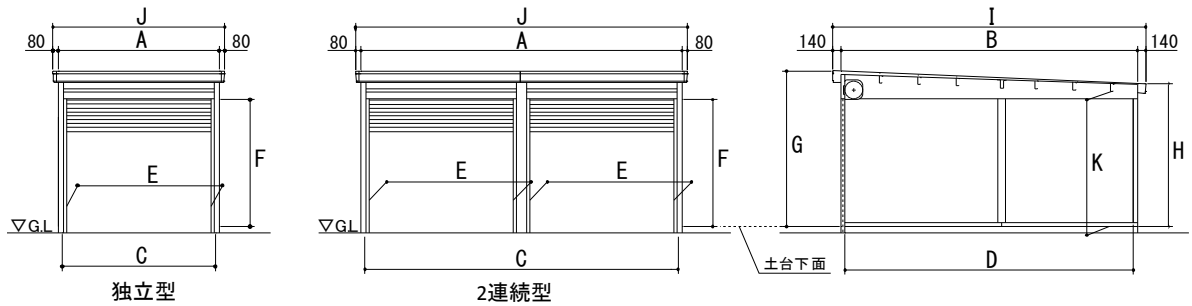


GRN 詳細寸法表1

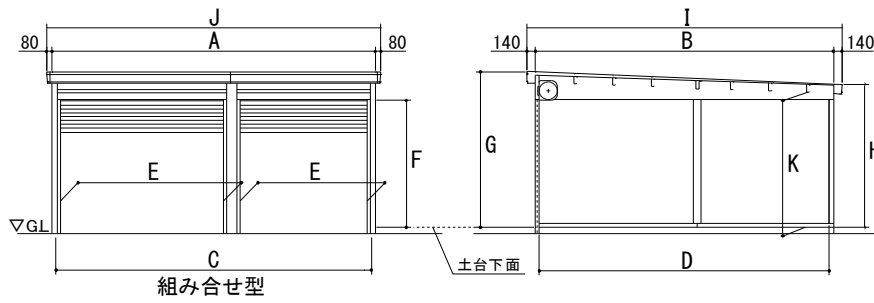


※連続型の梁中下の内高は、S:1792mm、H:2092mm、J:2392mmとなります。

機種	床面積 (m ²)	外寸法		内寸法		有効開口部		高さ		屋根部		内高	母屋中の本数				
		A	B	C	D	E	F	G	H	I	J			K			
GRN-2142S	9.11	2,130	4,275	1,940	4,070	1,842	1,818	2,360	2,138	4,555	2,290	1,984	4				
GRN-2142H							2,118	2,660	2,438			2,284					
GRN-2642S	11.24	2,630		2,440		2,342	1,818	2,360	2,138		1,984						
GRN-2642H							2,118	2,660	2,438		2,284						
GRN-3142S	13.38	3,130		2,940		2,842	1,818	2,360	2,138		1,984						
GRN-3142H							2,118	2,660	2,438		2,284						
GRN-3642S	15.52	3,630		3,440		3,342	1,818	2,360	2,138		1,984						
GRN-3642H							2,118	2,660	2,438		2,284						
GRN-2147S	10.17	2,130	4,775	1,940	4,570	1,842	1,818	2,360	2,108	5,055	2,290	1,949	5				
GRN-2147H							2,118	2,660	2,408			2,249					
GRN-2647S	12.56	2,630		2,440		2,342	1,818	2,360	2,108		1,949						
GRN-2647H							2,118	2,660	2,408		2,249						
GRN-3147S	14.95	3,130		2,940		2,842	1,818	2,360	2,108		1,949						
GRN-3147H							2,118	2,660	2,408		2,249						
GRN-3647S	17.33	3,630		3,440		3,342	1,818	2,360	2,108		1,949						
GRN-3647H							2,118	2,660	2,408		2,249						
GRN-2652S	13.87	2,630	5,275	2,440	5,070	2,342	1,818	2,360	2,084	5,555	2,790	1,921	6				
GRN-2652H							2,118	2,660	2,384			2,221					
GRN-3152S	16.51	3,130		2,940		2,842	1,818	2,360	2,084		1,921						
GRN-3152H							2,118	2,660	2,384		2,221						
GRN-3652S	19.15	3,630		3,440		3,342	1,818	2,360	2,084		1,921						
GRN-3652H							2,118	2,660	2,384		2,221						
GRN-2657S	15.19	2,630		5,775		2,440	5,570	2,342	1,818		2,360	2,108		6,055	2,790	1,939	6
GRN-2657H									2,118		2,660	2,408				2,239	
GRN-2657J						2,418		2,960	2,708	2,539							
GRN-3157S	18.08	3,130	2,940		2,842	1,818		2,360	2,108	1,939							
GRN-3157H						2,118		2,660	2,408	2,239							
GRN-3157J						2,418		2,960	2,708	2,539							
GRN-3657S	20.96	3,630	3,440		3,342	1,818		2,360	2,108	1,939							
GRN-3657H						2,118		2,660	2,408	2,239							
GRN-3657J					2,418	2,960	2,708	2,539									
GRN-2662S	16.5	2,630	6,275	2,440	6,070	2,342	1,818	2,360	2,084	6,555	2,790	1,921	6				
GRN-2662H							2,118	2,660	2,384			2,221					
GRN-2662J											2,418	2,960		2,684	2,521		
GRN-3162S	19.64	3,130		2,940		2,842	1,818	2,360	2,084		1,921						
GRN-3162H							2,118	2,660	2,384		2,221						
GRN-3162J							2,418	2,960	2,684		2,521						
GRN-3662S	22.78	3,630		3,440		3,342	1,818	2,360	2,084		1,921						
GRN-3662H							2,118	2,660	2,384		2,221						
GRN-3662J								2,418	2,960	2,684	2,521						
GRN-2142SL-2	18.21	4,260	4,275	4,070	4,070	1,842	1,818	2,360	2,138	4,555	4,420	1,984	4 × 2				
GRN-2142HL-2							2,118	2,660	2,438			2,284					
GRN-2642SL-2	22.49	5,260		5,070		2,342	1,818	2,360	2,138		1,984						
GRN-2642HL-2							2,118	2,660	2,438		2,284						
GRN-3142SL-2	26.76	6,260		6,070		2,842	1,818	2,360	2,138		1,984						
GRN-3142HL-2							2,118	2,660	2,438		2,284						
GRN-3642SL-2	31.04	7,260		7,070		3,342	1,818	2,360	2,138		1,984						
GRN-3642HL-2							2,118	2,660	2,438		2,284						
GRN-2147SL-2	20.34	4,260	4,775	4,070	4,570	1,842	1,818	2,360	2,108	5,055	4,420	1,949	5 × 2				
GRN-2147HL-2							2,118	2,660	2,408			2,249					
GRN-2647SL-2	25.12	5,260		5,070		2,342	1,818	2,360	2,108		1,949						
GRN-2647HL-2							2,118	2,660	2,408		2,249						
GRN-3147SL-2	29.89	6,260		6,070		2,842	1,818	2,360	2,108		1,949						
GRN-3147HL-2							2,118	2,660	2,408		2,249						
GRN-3647SL-2	34.67	7,260		7,070		3,342	1,818	2,360	2,108		1,949						
GRN-3647HL-2							2,118	2,660	2,408		2,249						

(単位: mm)

GRN 詳細寸法表2



※連続型の梁中下の内高は、S:1792mm、H:2092mm、J:2392mmとなります。

機種	床面積 (m ²)	外寸法		内寸法		有効開口部		高さ		屋根部		内高 K	母屋中 の本数
		A	B	C	D	E	F	G	H	I	J		
GRN-2652SL-2	27.75	5,260	5,275	5,070	5,070	2,342	1,818	2,360	2,084	5,555	5,420	1,921	6×2
GRN-2652HL-2							2,118	2,660	2,384			2,221	
GRN-3152SL-2	33.02	6,260	5,275	6,070	5,070	2,842	1,818	2,360	2,084	5,555	6,420	1,921	6×2
GRN-3152HL-2							2,118	2,660	2,384			2,221	
GRN-3652SL-2	38.30	7,260	5,275	7,070	5,070	3,342	1,818	2,360	2,084	5,555	7,420	1,921	6×2
GRN-3652HL-2							2,118	2,660	2,384			2,221	
GRN-2657SL-2	30.38	5,260	5,775	5,070	5,570	2,342	1,818	2,360	2,108	6,055	5,420	1,939	6×2
GRN-2657HL-2							2,118	2,660	2,408			2,239	
GRN-2657JL-2	36.15	6,260	5,775	6,070	5,570	2,842	2,418	2,960	2,708	6,055	6,420	2,539	6×2
GRN-3157SL-2							1,818	2,360	2,108			1,939	
GRN-3157HL-2	41.93	7,260	5,775	6,070	5,570	2,842	2,118	2,660	2,408	6,055	7,420	2,239	6×2
GRN-3157JL-2							2,418	2,960	2,708			2,539	
GRN-3657SL-2	41.93	7,260	5,775	7,070	5,570	3,342	1,818	2,360	2,108	6,055	7,420	1,939	6×2
GRN-3657HL-2							2,118	2,660	2,408			2,239	
GRN-3657JL-2	33.01	5,260	6,275	6,070	6,070	2,342	2,418	2,960	2,684	6,555	5,420	2,521	6×2
GRN-2662SL-2							1,818	2,360	2,084			1,921	
GRN-2662HL-2	39.28	6,260	6,275	6,070	6,070	2,842	2,118	2,660	2,384	6,555	6,420	2,221	6×2
GRN-3162SL-2							2,418	2,960	2,684			2,521	
GRN-3162HL-2	45.56	7,260	6,275	7,070	6,070	3,342	1,818	2,360	2,084	6,555	7,420	1,921	6×2
GRN-3662SL-2							2,118	2,660	2,384			2,221	
GRN-3662HL-2	25.11	4,760	5,275	4,570	5,070	2,342	2,418	2,960	2,684	5,555	4,920	2,521	6×2
GRN-2621-52S							1,818	2,360	2,084			1,921	
GRN-2621-52H	27.75	5,260	5,275	5,070	5,070	2,842	2,118	2,660	2,384	5,555	5,420	2,221	6×2
GRN-3121-52S							1,818	2,360	2,084			1,921	
GRN-3121-52H	30.38	5,760	5,275	5,570	5,070	2,842	2,118	2,660	2,384	5,555	5,920	2,221	6×2
GRN-3126-52S							1,818	2,360	2,084			1,921	
GRN-3126-52H	33.26	5,760	5,275	5,570	5,570	2,342	2,118	2,660	2,384	6,055	5,920	2,221	6×2
GRN-3126-57S							2,418	2,960	2,708			2,539	
GRN-3126-57H	36.15	6,260	5,775	6,070	5,570	2,842	1,818	2,360	2,108	6,055	6,420	1,939	6×2
GRN-3126-57J							2,118	2,660	2,408			2,239	
GRN-3626-57S	39.04	6,760	5,775	6,570	5,570	3,342	2,418	2,960	2,708	6,055	6,920	2,539	6×2
GRN-3626-57H							1,818	2,360	2,108			1,939	
GRN-3626-57J	36.14	5,760	6,275	6,070	6,070	2,342	2,118	2,660	2,408	6,555	6,420	2,239	6×2
GRN-3631-57S							2,418	2,960	2,708			2,539	
GRN-3631-57H	39.28	6,260	6,275	6,070	6,070	2,842	1,818	2,360	2,108	6,555	6,920	1,939	6×2
GRN-3126-62S							2,118	2,660	2,408			2,239	
GRN-3126-62H	42.42	6,760	6,275	6,570	6,070	3,342	2,418	2,960	2,684	6,555	7,420	2,521	6×2
GRN-3626-62S							1,818	2,360	2,084			1,921	
GRN-3626-62H	39.28	6,260	6,275	6,070	6,070	2,842	2,118	2,660	2,384	6,555	6,420	2,221	6×2
GRN-3126-62J							2,418	2,960	2,684			2,521	
GRN-3626-62J	42.42	6,760	6,275	6,570	6,070	3,342	1,818	2,360	2,084	6,555	6,920	1,921	6×2
GRN-3631-62S							2,118	2,660	2,384			2,221	
GRN-3631-62H	39.04	6,760	5,775	6,570	5,570	2,342	2,418	2,960	2,684	5,555	4,920	2,521	6×2
GRN-3126-62J							1,818	2,360	2,084			1,921	
GRN-3631-62J	25.11	4,760	5,275	4,570	5,070	2,842	2,118	2,660	2,384	5,555	5,420	2,221	6×2
GRN-2621-52S							2,418	2,960	2,684			2,521	

(単位:mm)